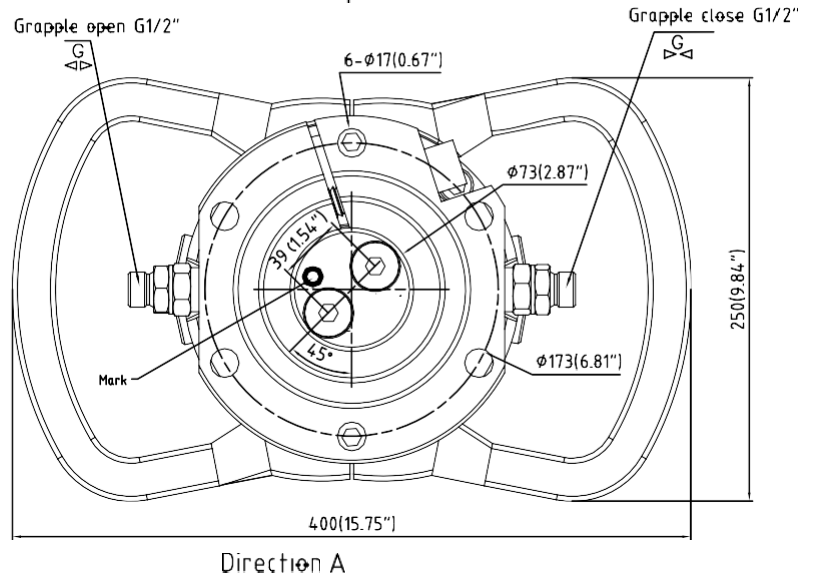
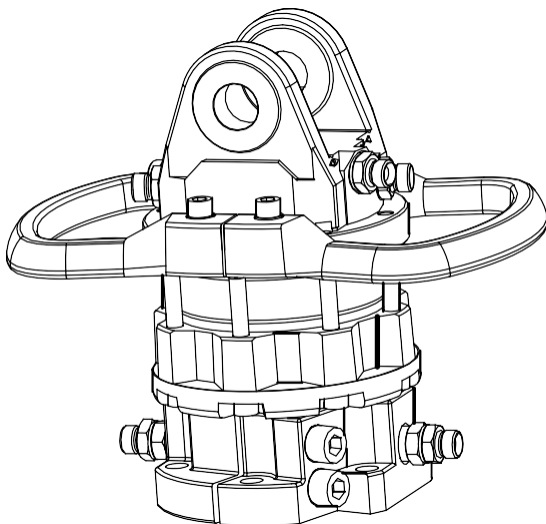
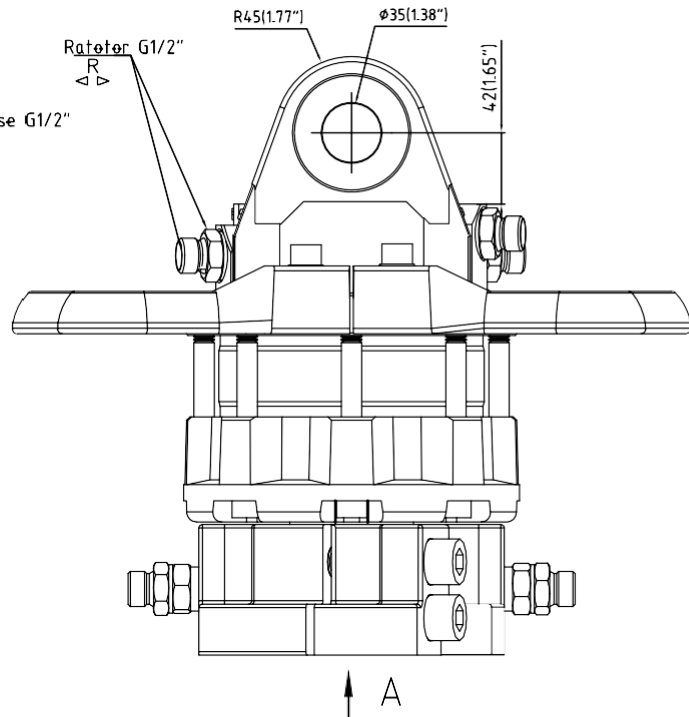
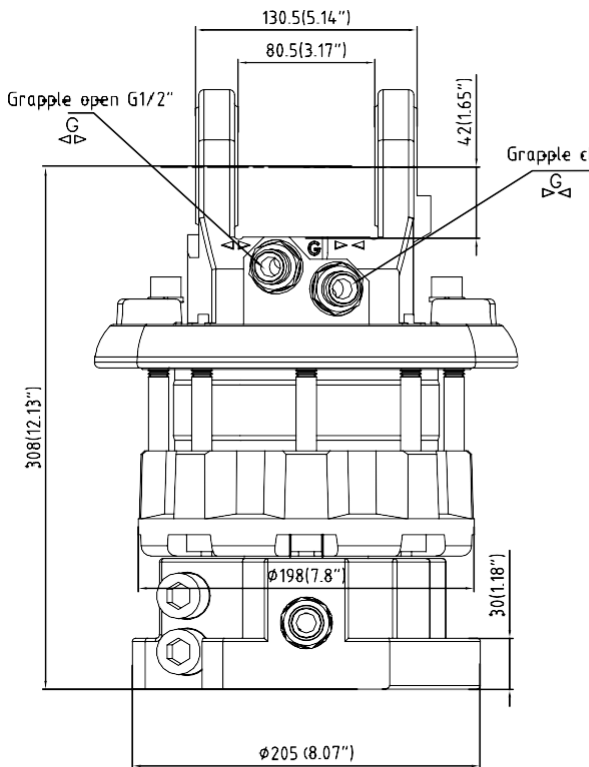


ROTATOR GR-60F-2



Technical data

Rotation		Unlimited
Max axial load static,KN:		60
Max axial load dynamic,KN:		30
Torque (25MPa) ,Nm:		1800
Rated displacement,ml/r:		670
Weight,Kg:		50
Max working pressure		Connection
Rotator :	→ R →	max 25MPa G1/2"
Grapple/Tool open	→ G →	max 20MPa G1/2"
Grapple/Tool close:	→ G →	max 30MPa G1/2"



ПРОДАЖА, МОНТАЖ И СЕРВИСНОЕ ОБСЛУЖИВАНИЕ МАНИПУЛЯТОРОВ
+375 17 508-72-50
+375 29 144-23-53